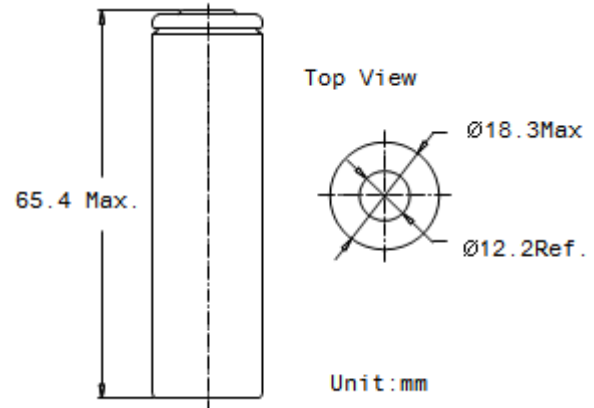
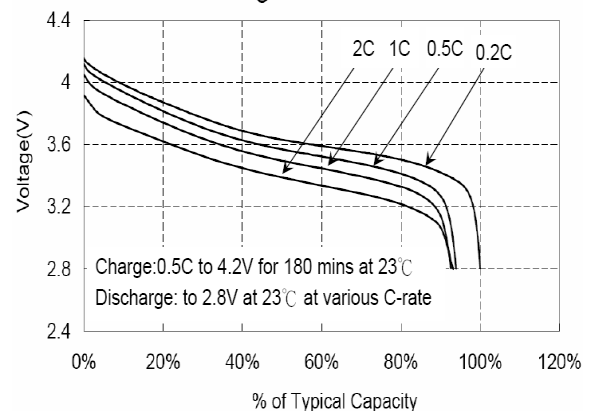


Model No.: GP1865T220

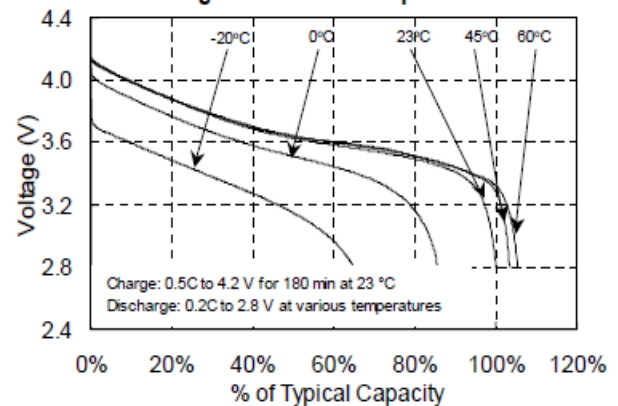
Type	: Rechargeable Lithium Ion Cylindrical Cell
Max. Dimension (with Sleeve)	: $\Phi = 18.3 \text{ mm}^*$ H = 65.4 mm
Applications	: Recommended discharge current 440 to 4400 mA
Nominal Voltage	: 3.6V
Nominal Capacity	: 2200 mAh when discharged at 440 mA to 2.8 V at 23 °C
Charge Condition	: 440mA to 4.2V(44 mA cut-off) at 23 °C
Recommended Charging Condition in Applications	: 440 mA to 2200 mA (0.2 to 1.0C) Charge termination control recommend control parameters: Taper current 44mA at 4.2 V
Clamped Charging Voltage	: 4.2 V +/- 0.05 V
Service Life	: >400 cycles (80% of typical capacity)
Weight	: Approx. 45.0 g
Internal Resistance	: 75 m Ω max. at 1000Hz
Ambient Temperature Range	: Charging : 0 to 45 °C Discharging : -20 to 60 °C Storage (1 month) : -20 to 45 °C Storage (6 months) : -20 to 40 °C Storage (1 year) : -20 to 35 °C
Note	: * with plastic sleeve



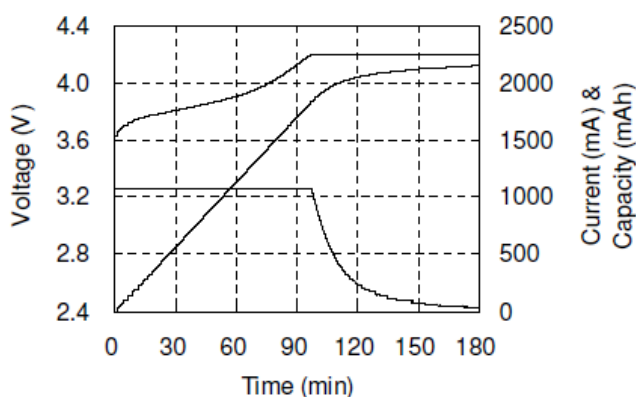
Discharge at Different C-rate



Discharge at Different Temperatures



Charging Characteristics



The information (subject to change without prior notice) contained in this document is for reference only and should not be used as a basis for product guarantee or warranty. For applications other than those described here, please consult your nearest GP Sales and Marketing Office or Distributors.